

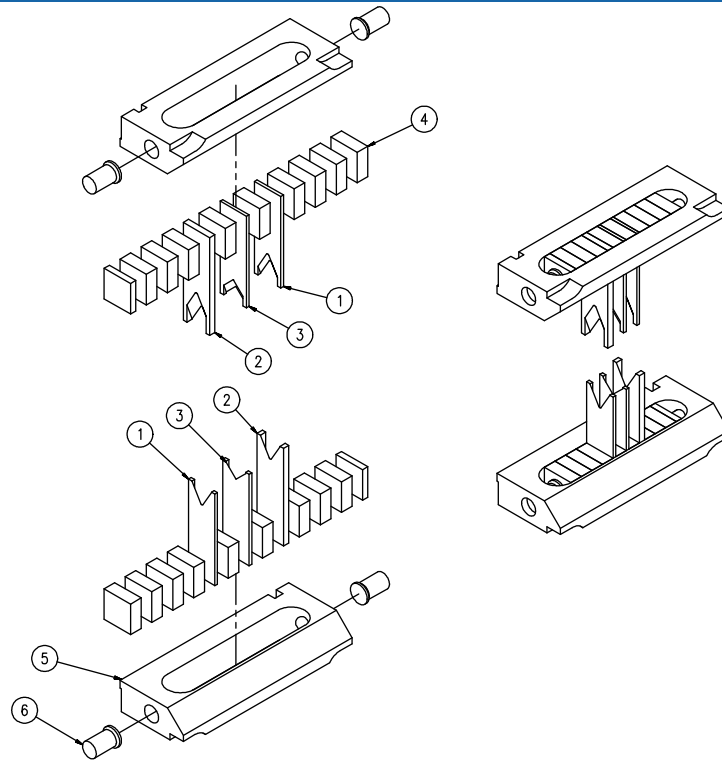
Artos X Series Blades

Used in the following Artos machines:

CS-26 | CS-29



"X" Series Tooling Setup



No.	Part Description	Qty.	No.	Part Description	Qty.
1	"X" Strip Blade-Short	2	5	Artos 4" Toolholder	2
2	"X" Strip Blade-Long	2	6	Mechtrix Endscrew/Washer Assembly	4
3	Cut-off Blade	2			
4	Spacers	-			



Mechtrix Single "X" Series Stripping Blades

Mechtrix Description	Mechtrix Part Number	Blade Form (in)	Diameter (mm)	OEM Part Number
X-012S Strip Blade-Short	12765	0.01200	0.30	87330-17
X-012L Strip Blade-Long	12764	0.01200	0.30	87330-18
X-022S Strip Blade-Short	12767	0.02200	0.56	87330-15
X-022L Strip Blade-Long	12766	0.02200	0.56	87330-16
X-034S Strip Blade-Short (replaces X-32)	14277	0.03400	0.86	87330-1
X-034L Strip Blade-Long (replaces X-32L)	14278	0.03400	0.86	87330-2
X-042S Strip Blade-Short	12769	0.04200	1.07	87330-3
X-042L Strip Blade-Long	12768	0.04200	1.07	87330-4
X-052S Strip Blade-Short	12771	0.05200	1.32	87330-5
X-052L Strip Blade-Long	12770	0.05200	1.32	87330-6
X-062S Strip Blade-Short (replaces X-16)	14279	0.06200	1.57	87330-7
X-062L Strip Blade-Long (replaces X-16L)	14280	0.06200	1.57	87330-8

Continued on Next Page

Artos X Series Blades

Used in the following Artos machines:

CS-26 | CS-29



Mechtrix Single "X" Series Stripping Blades (continued)

Mechtrix Description	Mechtrix Part Number	Blade Form (in)	Diameter (mm)	OEM Part Number
X-076S Strip Blade-Short	12401	0.07600	1.93	87330-9
X-076L Strip Blade-Long	12402	0.07600	1.93	87330-10
X-096S Strip Blade-Short (replaces X-332)	14281	0.09600	2.44	87330-11
X-096L Strip Blade-Long (replaces X-332L)	14282	0.09600	2.44	87330-12
X-112S Strip Blade-Short	12773	0.11200	2.84	87330-13
X-112L Strip Blade-Long	12772	0.11200	2.84	87330-14
X-125S Strip Blade-Short (replaces X-8)	00307	0.12500	3.18	-
X-125L Strip Blade-Long (replaces X-8L)	00308	0.12500	3.18	-
X-156A Strip Blade-Short (replaces X-532A)	01994	0.15625	3.97	-
X-156L Strip Blade-Long (replaces X-532L)	01992	0.15625	3.97	-
X-172A Strip Blade-Short	14285	0.17200	4.37	87330-19
X-172L Strip Blade-Long	12774	0.17200	4.37	87330-20
X-187A Strip Blade-Short (replaces X-316A)	11172	0.18750	4.76	-
X-187L Strip Blade-Long (replaces X-316L)	04505	0.18750	4.76	-
X-222A Strip Blade-Short (replaces X-732A)	14286	0.22200	5.64	87330-21
X-222L Strip Blade-Long (replaces X-732L)	14284	0.22200	5.64	87330-22
X-250A Strip Blade-Short (replaces X-4A)	05186	0.25000	6.35	-
X-250L Strip Blade-Long (replaces X-4L)	05185	0.25000	6.35	-

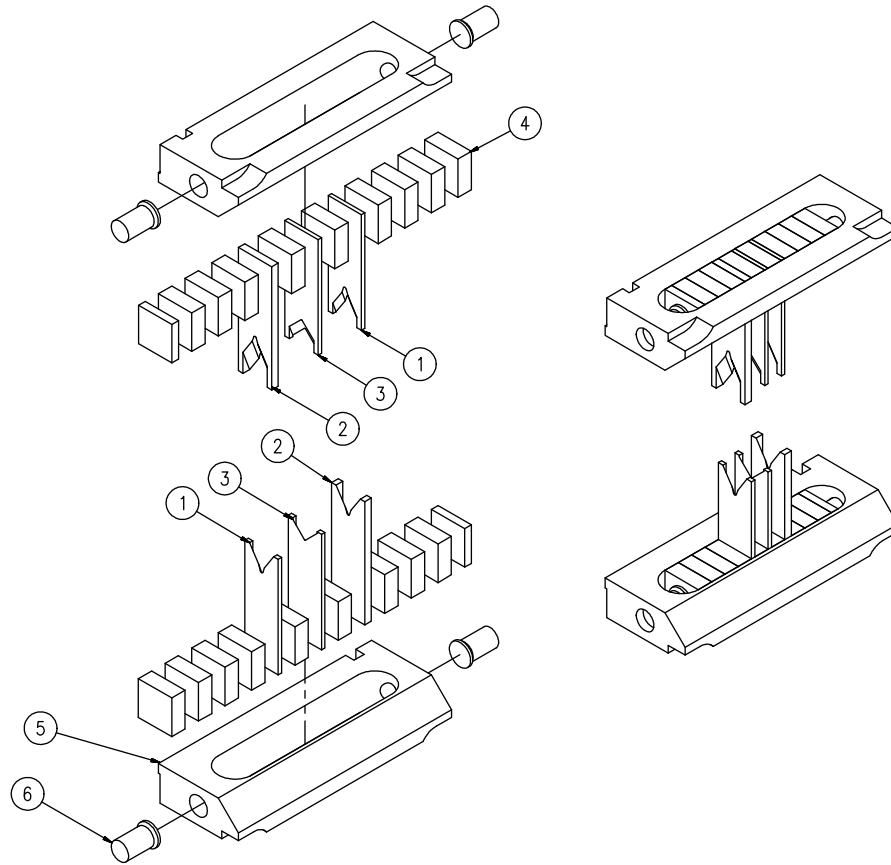
Artos X Series Blades

Used in the following Artos machines:

CS-26 | CS-29



"XM" Series Tooling Setup



No.	Part Description	Qty.	No.	Part Description	Qty.
1	"XM" Strip Blade-Short	2	5	Artos 4" Toolholder	2
2	"XM" Strip Blade-Long	2	6	Mechtrix Endscrew/Washer Assembly	4
3	Cut-off Blade	2			
4	Spacers	-			



"XM" Series Stripping Blades

Mechtrix Description	Mechtrix Part Number	Blade Form (in)	Diameter (mm)	OEM Part Number
XM-016 Strip Blade-Short	01656	0.01600	0.41	-
XM-016L Strip Blade-Long	01655	0.01600	0.41	-
XM-020 Strip Blade-Short	01658	0.02000	0.51	-
XM-020L Strip Blade-Long	01657	0.02000	0.51	-
XM-024 Strip Blade-Short	01660	0.02400	0.61	-
XM-024L Strip Blade-Long	01659	0.02400	0.61	-
XM-028 Strip Blade-Short	01662	0.02800	0.71	-
XM-028L Strip Blade-Long	01661	0.02800	0.71	-
XM-032 Strip Blade-Short	01664	0.03200	0.81	-
XM-032L Strip Blade-Long	01663	0.03200	0.81	-

Continued on Next Page

Artos X Series Blades

Used in the following Artos machines:

CS-26 | CS-29



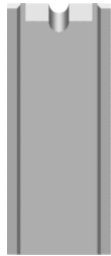
"XM" Series Stripping Blades (continued)

Mechtrix Description	Mechtrix Part Number	Blade Form (in)	Diameter (mm)	OEM Part Number
XM-040 Strip Blade-Short	01666	0.04000	1.02	-
XM-040L Strip Blade-Long	01665			-
XM-048 Strip Blade-Short	01668	0.04800	1.22	-
XM-048L Strip Blade-Long	01667			-
XM-054 Strip Blade-Short	01670	0.05400	1.37	-
XM-054L Strip Blade-Long	01669			-
XM-062 Strip Blade-Short	01672	0.06200	1.57	-
XM-062L Strip Blade-Long	01671			-
XM-070 Strip Blade-Short	01674	0.07000	1.78	-
XM-070L Strip Blade-Long	01673			-
XM-078 Strip Blade-Short	01676	0.07800	1.98	-
XM-078L Strip Blade-Long	01675			-
XM-086 Strip Blade-Short	01678	0.08600	2.18	-
XM-086L Strip Blade-Long	01677			-
XM-094 Strip Blade-Short	01680	0.09400	2.39	-
XM-094L Strip Blade-Long	01679			-
XM-102 Strip Blade-Short	01682	0.10200	2.69	-
XM-102L Strip Blade-Long	01681			-
XM-110 Strip Blade-Short	01684	0.11000	2.79	-
XM-110L Strip Blade-Long	01683			-
XM-118 Strip Blade-Short	01686	0.11800	3.00	-
XM-118L Strip Blade-Long	01685			-
XM-126 Strip Blade-Short	01688	0.12600	3.20	-
XM-126L Strip Blade-Long	01687			-
XM-134 Strip Blade-Short	01690	0.13400	3.40	-
XM-134L Strip Blade-Long	01689			-
XM-142 Strip Blade-Short	01692	0.14200	3.61	-
XM-142L Strip Blade-Long	01691			-
XM-150 Strip Blade-Short	01694	0.15000	3.81	-
XM-150L Strip Blade-Long	01693			-
XM-158 Strip Blade-Short	01696	0.15800	4.01	-
XM-158L Strip Blade-Long	01695			-

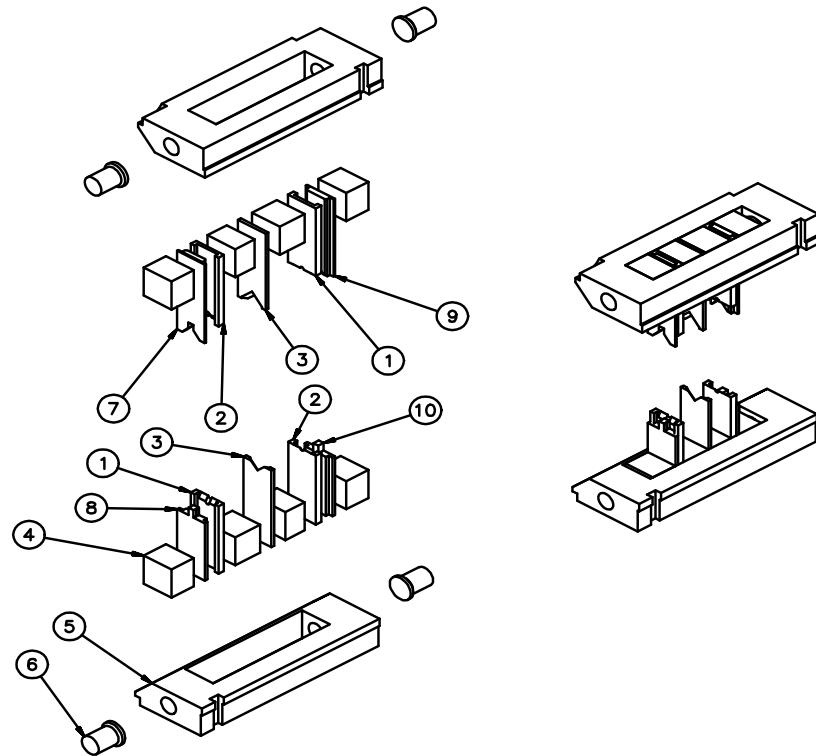
Artos X Series Blades

Used in the following Artos machines:

CS-26 | CS-29



"IDX" Series Tooling Setup



No.	Part Description	Qty.	No.	Part Description	Qty.
1	"IDX" Strip Blade-Short	2	6	Mechtrix Endscrew/Washer Assembly	4
2	"IDX" Strip Blade-Long	2	7	"IDGX" Wire Guide-Long	1
3	Cut-off Blade	2	8	"IDSX" Stop-Short	1
4	Spacers	-	9	"IDGX" Wire Guide-Short	1
5	Artos 4" Toolholder	2	10	"IDSX" Stop-Long	1